



PRIMUS®

MD 76

THE SYSTEM
FOR IMPORTANT PLANS!



+ LIGHT
+ EMOTION



ideal fenster®
The higher quality uPVC window



PRIMUS®

Large construction sites choose



© Copyright Ideal Fenster srl. - 07/04/2014 - In order to improve the final product, the company reserves the right to make any changes and improvements it may deem necessary without any further notice.

ideal fenster®

The higher quality **uPVC window**



U_w = 1.2 ~
with double
glazing

U_w = 0.8 ~
with triple
glazing

76 mm system, 6-chamber and 3-level seal

The classic design and the aesthetically pleasing form of the rounded contours perfectly adapt themselves to the installation in every context.

Furthermore, the smooth and linear surfaces optimize the operation and maintenance.

Thanks to its characteristics it offers a high thermal and acoustic insulation.

- ① 6-chamber profile with 76/80 depth
- ② 3-level seal system
- ③ Steel reinforcements for a sturdier structure. Possibility of using burglar-resistant components
- ④ Glass pane up to 44 mm depth
Black spacer
10 years guarantee from the glass-factory (Refer to the Assovetro norms)

*Thanks to the calcium/zinc stabilizers,
maximum contribution to the environment*

- Profile thermal transmittance **U_f = 1.2**
- Average thermal transmittance of the window with glazing U_g 1.0 **U_w = 1.2 ~**
- Average thermal transmittance of the window with glazing U_g 0.5 **U_w = 0.8 ~**
- Resistances to wind load (UNI EN 12210)*
Class C3/B4
- Waterproofness (UNI EN 12208)*
Class 9/A
- Air permeability (UNI EN 12207)*
Class 4

* Values refer to a 4 sided frame window.
The thermal threshold is not certified and is limited only for those specified values.



© Copyright Ideal Fenster srl. - 07/04/2014 - In order to improve the final product, the company reserves the right to make any changes and improvements it may deem necessary without any further notice.



Colour range

Apart from smooth white you can give a colour tone to your house with clad wood colours or R.A.L. coloured windows.

Standard colours: **Smooth White** (R.A.L. 9016), clad **Golden Oak** coating and clad **Walnut** coating. Other coatings are available when a substantial quantity is requested.

IN STOCK

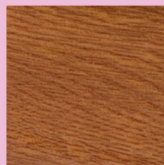
Quick delivery

Mass profile



White RAL 9016

Coating profile



Golden Oak



Walnut

ON DEMAND

Great deal of windows
Longer time



Silver



Anthracite Grey

Illustrated colours could be slightly different from the original shades.

© Copyright Ideal Fenster srl - 07/04/2014 - In order to improve the final product, the company reserves the right to make any changes and improvements it may deem necessary without any further notice.

Hardware



The security against the lifting mishandling of the device

The integrated lever allows the sash/opening to close up the frame always at the same level, without forcing the handle. Furthermore this device avoids the mishandling of the handle during the tilt opening.



Arrestable ventilation-stay

Highest comfort level: thanks to the integrated block security the sash/opening locks when it is in the tilt position, avoiding oscillations and the window slamming in the event of airstreams.



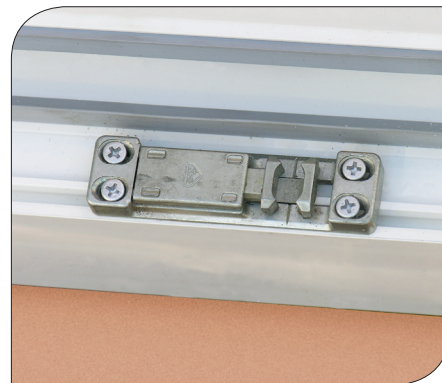
Burglar-resistant closing in the lower side

The burglar-resistant mushroom cam combined with its security strikers offers a high safety protection even in the basic version. The height simplified regulation makes this security locking cam a perfect device.



Locking cams

These cams are standard in every window. They are positioned at least every 800 mm apart in order to give absolute tightness and burglar-resistant protection. On the secondary sash/opening the locking points are placed within hidden hinges.



Second sash/opening closing with latch

Striker with latch are on the lower side only for heights up to 1,800 mm. For higher windows, the latch is provided on the upper side too.

The new range of RotoSil Nano surfaces defines the whole hardware industry standard.

The guaranteed performances reflect the importance of the quality for our company.

The RotoSil Nano cladding technology offers the highest surfaces protection.

The hardware components are passivated with nano particles, which give them an optimum anti-corrosion protection thanks to the self-healing unique ability.



Glass

The glass is a basic component for the windows proper manufacturing. It covers 80% of the window's surface: its insulation power is crucial for the living comfort and the energy saving.

The main measurements determining the glass pane quality are: the thermal transmittance (Ug value) and the sound-proofing (dB value). The less is the Ug value, the higher is the glazing insulation; the higher dB value level helps in the achieving of a higher acoustic insulation.

Our glazing state-of-the-art technology:

Argon gas (about 97%):

- Higher thermal insulation and condensation risk reduction

Low emission glass pane:

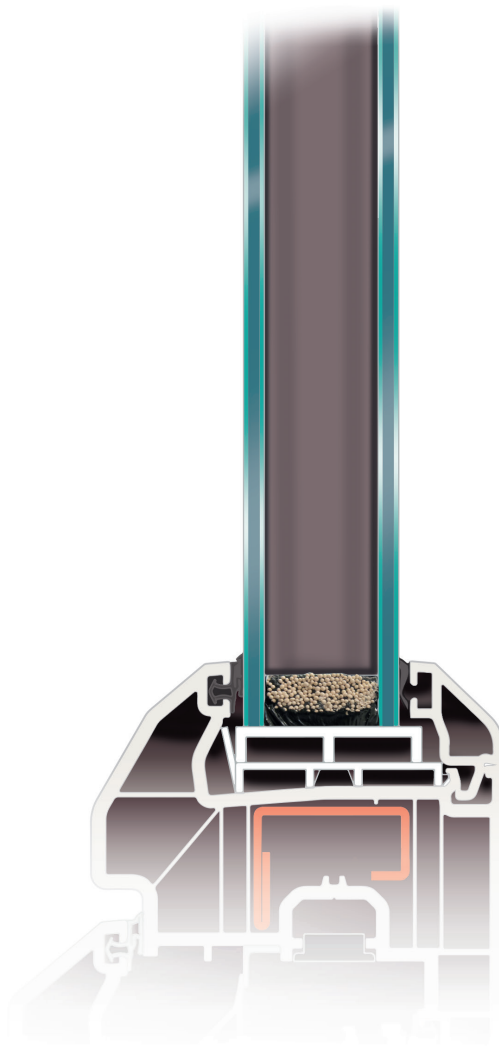
- standard double glazing Ug=1.0
- triple glazing Ug=0.5

Seamed glass edges:

- Lower glass micro-breaking and breaking risk

22mm spacer:

- Higher thermal and acoustic insulation



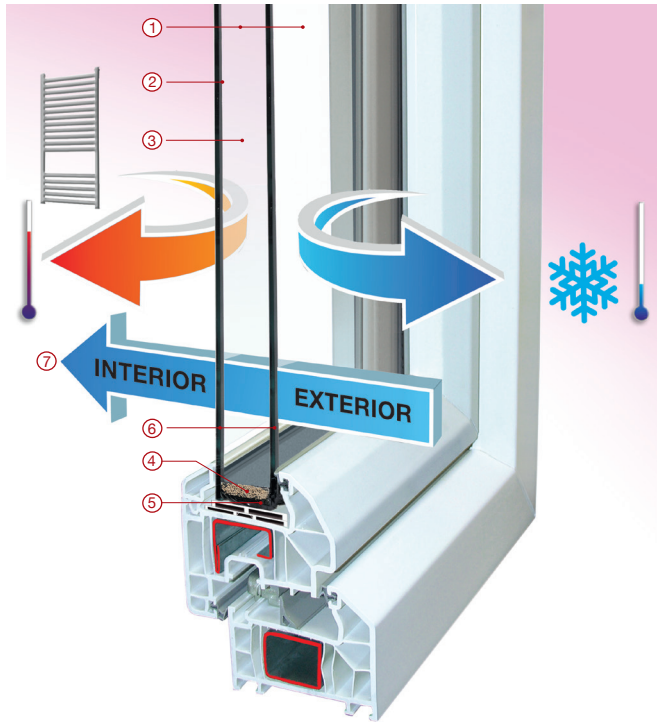
Frequently requested glazing		4 -22- ::4 Argon 97% Double glazing	33.1 -18- ::33.1 Argon 97% Stratified double glazing	4:: -16- 4 -16- ::4 Argon 97% Triple glazing	33.1:: -14- 4 -12- ::33.1 Argon 97% Stratified triple glazing
Thermal transmittance EN673	(Ug) W/m²K	1.0	1.0	0.5	0.6
Sound-proofing about	(Rw) dB	33	37	34	38
Light transmission EN410	(TL) %	71	69	57	55
Solar influence EN410	(FSg) %	53	48	33	32
Reflection EN410	(RL) %	19	18	28	27
Glazing thickness	mm	30	31	44	43
Weight	Kg/m²	20	31	30	41

*Indicative values

Glass Fixing the innovative sticking

"Glass Fixing" is the innovative system of structural pasting, developed to considerably increase our windows stability. Depending on the sizes, the colours and the use of some fixing points are applied with a special glue between the sash/ opening and the glazing. A single body, stable and all-bearing, is produced ensuring a better operation over time and a superior security against house-breaking.

THERMAL INSULATION



5 good reasons to choose a standard double glazing with strengthened thermal insulation $U_g=1.0 \text{ W/m}^2\text{K}$ and high energy efficiency

- Energy saving and optimum insulation with a $U_g=1.0$ value
- Higher light transmission
- Reduction of the heating costs due to a considerable thermal dispersion reduction
- Effective environmental protection and CO_2 emissions reduction
- Higher comfort thanks to the homogeneous heat distribution

Standard double glazing

- ① Inner pane, outer pane 4 mm
- ② Lower emission system
- ③ Space between the two panes filled with 97% Argon gas
- ④ Anti-humidity salts
- ⑤ Thiokol sealant
- ⑥ Seamed glass edges (lesser glass micro-breaking and breaking risks)
- ⑦ 71% light transmission (TL), 53% solar influence (FSg)

ACOUSTIC INSULATION



Thanks to their high sound-proofing capacity and the excellent thermal insulation of the materials, our windows protect the rooms against the noise pollution. The basis to achieve the optimum acoustic insulation level are: the composed use of different thickness pane, the use of soundproofing pane Silence and the windows perfect installation.

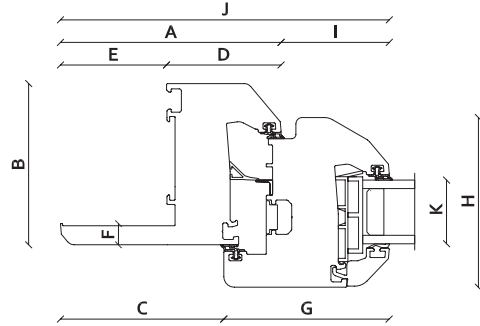
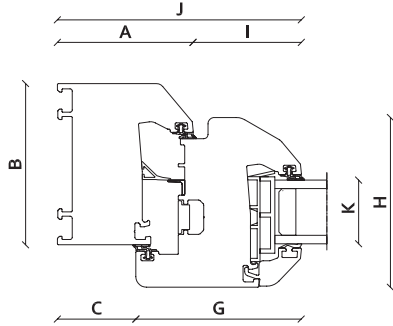
Glass pane	Rw window		
	Rw (C; Ctr)dB	C 100-5000	Ctr 100-5000
4-22Arg-:4	35 (-2; -5)dB	-2dB	-5dB
4::-16Arg-4-16Arg-:4	35 (-1; -5)dB	-1dB	-5dB
44.2Phon-20Arg-:33.1	41 (-1; -4)dB	0dB	-4dB
44.2Phon-20Arg-:33.2Phon	44 (-2; -6)dB	-1dB	-6dB
66.2Phon::-18Arg-:44.2Phon	44 (-1; -3)dB	0dB	-3dB

Evaluation based on results obtained in laboratory following test, according to the ISO 717-1 norm. These numeric values refer to windows with a 4 sided frame and one sash/opening 1,230x1,490 mm.

© Copyright Ideal Fenster srl - 07/04/2014 - In order to improve the final product, the company reserves the right to make any changes and improvements it may deem necessary without any further notice.

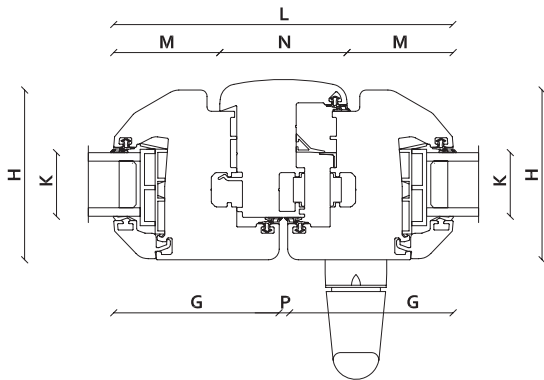
Central point sash/frame

Frame	A	B	C	D	E	F	Sash	G	H	I	J	K	Sash	G	H	I	J	K
PN64	64	76	36				PA78	78	80	50	114	44	PA105	105	70	77	141	44
PR104	104	76	76	54	50	10	PA78	78	80	50	154	44	PA105	105	70	77	181	44



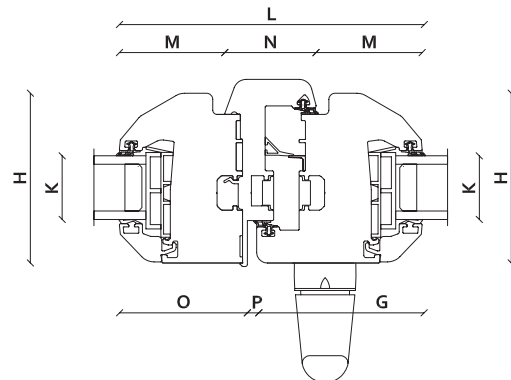
Central point symmetric matching (standard)

Matching	N	Sash	G	H	L	M	P	K
PSB60	60	PA78	78	80	160	50	4	44
PSB60	60	PA105	105	70	214	77	4	44

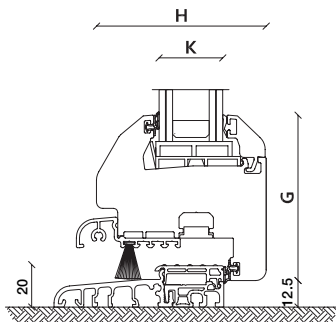


Central point asymmetric matching (no standard)

Matching	N	Sash	G	H	L	M	O	P	K
PSB43	43	PA78	78	80	143	50	60.5	4.5	44
PSB43	43	PA105	105	70	197	77	87.5	4.5	44

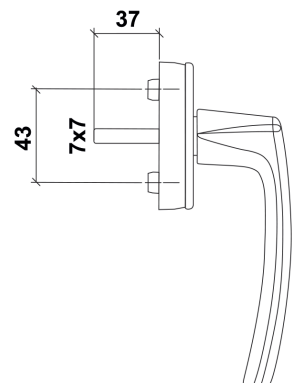


20mm thermal threshold
(limited endurance warranty)



Handle range – available coatings

- Silver - standard for all colours
- White - no surcharge
- Brass-plated - with surcharge



ideal fenster
The higher quality uPVC window

www.idealfenster.com



Malta Showroom: **Ideal PVC Windows** Ltd, 139, Valley Road - M-BKR 9015 - BIRKIRKARA - ☎ +356 27488111 - Fax +356 27488100
info.malta@idealfenster.com

IdealFenster srl - Plant 1 - I-36016 THIENE (VI) - Viale del Lavoro, 22/24 - ☎ +39 0445 329 000 - Fax +39 0445 329 090 - info@idealfenster.it
IdealOpen - Plant 2 - I-29010 S.NICOLÒ (PC) - Via Emilia Ovest, 95 - ☎ +39 0523 783 011 - Fax +39 0523 783 090 - info@idealopen.com
IdealFeba - Plant 3 - I-39040 VAHRN BRIXEN Nord (BZ) - Seeweg, 13 - ☎ +39 0472 250 600 - Fax +39 0472 250 690 - info@idealfenster.com