



PRIMUS

MD84

ORDER FORM



Versione 16/01/2019 - © COPYRIGHT Ideal Fenster Group S.R.L.

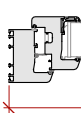
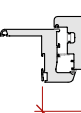
www.idealfenster.com

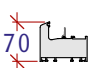
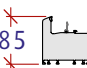
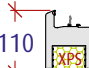
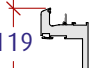



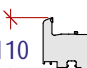



ideal fenster Group

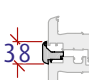
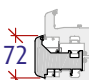
The higher quality **uPVC window**

Customer:	Submitted by:	Delivery:
.....	Date:	Name/Surname:
.....	Reference:	Street/Square:
.....	Required delivery week (about)	City/town:

GIVEN MEASURE		SUBFRAMES	SITE ALTITUDE
 <input type="checkbox"/> MET	 <input type="checkbox"/> MIL-R	<input type="checkbox"/> PVC A1 63/75 <input type="checkbox"/> PVC A1 40/75	M.a.s.l. PACKAGING <input type="checkbox"/> Disposable kickstands

FRAMES				SCREW HOLES
 <input type="checkbox"/> PrEN70	 <input type="checkbox"/> PrEN85	 <input type="checkbox"/> PrEN110 <input type="checkbox"/> XPS (On demand)	 <input type="checkbox"/> PrER119	with supplements <input type="checkbox"/> 4 sides <input type="checkbox"/> 3 Sides <input type="checkbox"/> Left and Right

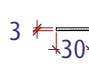
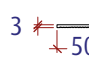
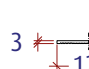

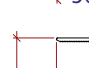
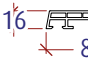


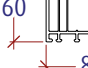
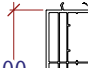
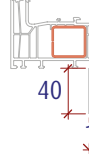
LEAFS				
 <input type="checkbox"/> PrEA77	 <input type="checkbox"/> PrEA110	 <input type="checkbox"/> PrEA110AE	 <input type="checkbox"/> PrEA125	 <input type="checkbox"/> PrEA125AE

MATCHING	HARDWARE
 <input type="checkbox"/> PrESB38 Asymmetric only compatible with PrEA77 <input type="checkbox"/> With additional internal batten, with supplement	 <input type="checkbox"/> PrESB72 Symmetric
	VISIBLE HINGES <input type="checkbox"/> ID22 <input type="checkbox"/> RC1 <input type="checkbox"/> RC2/n NON VISIBLE HINGES <input type="checkbox"/> N-ID22 <input type="checkbox"/> N-RC1 <input type="checkbox"/> N-RC2/n

HINGES COLOUR	HINGES COVER COLOUR	HANDLE COLOUR
<input type="checkbox"/> F9 silver coating <input type="checkbox"/> White coating	<input type="checkbox"/> Brown* <input type="checkbox"/> Cream white* <input type="checkbox"/> Brass* Colored hinges* with supplement	<input type="checkbox"/> F9 silver <input type="checkbox"/> Brown <input type="checkbox"/> Inox <input type="checkbox"/> White <input type="checkbox"/> Brass <input type="checkbox"/> Excluded

WINDOW/DOOR COLOUR		
<input type="checkbox"/> White RAL 9016 <input type="checkbox"/> Cream white** RAL 9001 On Cream white base** with supplement	<input type="checkbox"/> 2 sides clad coating <input type="checkbox"/> Inner side clad coating <input type="checkbox"/> Outer side clad coating	<input type="checkbox"/> Golden Oak DEC 110 <input type="checkbox"/> Walnut DEC 154 <input type="checkbox"/> Irish Oak DEC 145 <input type="checkbox"/> Winchester DEC 109 <input type="checkbox"/> Dark Ash DEC 143
<input type="checkbox"/> Grey DEC 004 <input type="checkbox"/> Anthracite DEC 072 <input type="checkbox"/> Smooth anthracite .. DEC 048	<input type="checkbox"/> White coating DEC 100 <input type="checkbox"/> Cremeweiss DEC 096** <input type="checkbox"/> Whitened oak DEC 694	<input type="checkbox"/> External hinge cover in ALU RAL

GLASS	SPACER
<input type="checkbox"/> Triple <ul style="list-style-type: none"> <input type="checkbox"/> 4: - 20 - 4 - 20 - :33.1 Ug 0,5 ~ 37 dB <input type="checkbox"/> 33.1: - 20 - 4 - 18 - :33.1 Ug 0,5 ~ 39 dB <input type="checkbox"/> Double <ul style="list-style-type: none"> <input type="checkbox"/> 4:: - 22 - 33.1 Ug 1,0 ~ 37 dB <input type="checkbox"/> 33.1:: - 20 - 33.1 Ug 1,0 ~ 38 dB <input type="checkbox"/> Ug ~ dB	<input type="checkbox"/> WarmEdge - Black <input type="checkbox"/> Alu black <input type="checkbox"/> Different color* With supplement*

PROFILES / ANGLES		
 3 N. rodes  3 N. rodes  3 N. rodes  5.3 N. rodes  80 3 N. rodes	 16 80 N. rodes  10 84 N. rodes  25 84 N. rodes  60 84 N. rodes  100 84 N. rodes	 40 15 N. rodes Item N. rodes Item N. rodes Item N. rodes Item N. rodes Item N. rodes

Opening - sketch		Glass decoration		Hardware / handles		Notes/ Accessories	
Inner view Building position: Pieces	<input type="checkbox"/> Frame on 4 sides	<input type="checkbox"/> C printed	<input type="checkbox"/> White frosted	<input type="checkbox"/> Balkover cylinder	<input type="checkbox"/> Secondary doors n6y		
	<input type="checkbox"/> Threshold	To trim the frame		<input type="checkbox"/> Door	<input type="checkbox"/> Handles with key		
	<input type="checkbox"/> Coloumn sash	Left	A	Right	<input type="checkbox"/> Inner/outer handles		
W: x H:			B		<input type="checkbox"/> Inner handle/outer bigger handle		
				<input type="checkbox"/> Cylinder			
Inner view Building position: Pieces	<input type="checkbox"/> Frame on 4 sides	<input type="checkbox"/> C printed	<input type="checkbox"/> White frosted	<input type="checkbox"/> Balkover cylinder	<input type="checkbox"/> Secondary doors n6y		
	<input type="checkbox"/> Threshold	To trim the frame		<input type="checkbox"/> Door	<input type="checkbox"/> Handles with key		
	<input type="checkbox"/> Coloumn sash	Left	A	Right	<input type="checkbox"/> Inner/outer handles		
W: x H:			B		<input type="checkbox"/> Inner handle/outer bigger handle		
				<input type="checkbox"/> Cylinder			
Inner view Building position: Pieces	<input type="checkbox"/> Frame on 4 sides	<input type="checkbox"/> C printed	<input type="checkbox"/> White frosted	<input type="checkbox"/> Balkover cylinder	<input type="checkbox"/> Secondary doors n6y		
	<input type="checkbox"/> Threshold	To trim the frame		<input type="checkbox"/> Door	<input type="checkbox"/> Handles with key		
	<input type="checkbox"/> Coloumn sash	Left	A	Right	<input type="checkbox"/> Inner/outer handles		
W: x H:			B		<input type="checkbox"/> Inner handle/outer bigger handle		
				<input type="checkbox"/> Cylinder			
Inner view Building position: Pieces	<input type="checkbox"/> Frame on 4 sides	<input type="checkbox"/> C printed	<input type="checkbox"/> White frosted	<input type="checkbox"/> Balkover cylinder	<input type="checkbox"/> Secondary doors n6y		
	<input type="checkbox"/> Threshold	To trim the frame		<input type="checkbox"/> Door	<input type="checkbox"/> Handles with key		
	<input type="checkbox"/> Coloumn sash	Left	A	Right	<input type="checkbox"/> Inner/outer handles		
W: x H:			B		<input type="checkbox"/> Inner handle/outer bigger handle		
				<input type="checkbox"/> Cylinder			
Inner view Building position: Pieces	<input type="checkbox"/> Frame on 4 sides	<input type="checkbox"/> C printed	<input type="checkbox"/> White frosted	<input type="checkbox"/> Balkover cylinder	<input type="checkbox"/> Secondary doors n6y		
	<input type="checkbox"/> Threshold	To trim the frame		<input type="checkbox"/> Door	<input type="checkbox"/> Handles with key		
	<input type="checkbox"/> Coloumn sash	Left	A	Right	<input type="checkbox"/> Inner/outer handles		
W: x H:			B		<input type="checkbox"/> Inner handle/outer bigger handle		
				<input type="checkbox"/> Cylinder			
Inner view Building position: Pieces	<input type="checkbox"/> Frame on 4 sides	<input type="checkbox"/> C printed	<input type="checkbox"/> White frosted	<input type="checkbox"/> Balkover cylinder	<input type="checkbox"/> Secondary doors n6y		
	<input type="checkbox"/> Threshold	To trim the frame		<input type="checkbox"/> Door	<input type="checkbox"/> Handles with key		
	<input type="checkbox"/> Coloumn sash	Left	A	Right	<input type="checkbox"/> Inner/outer handles		
W: x H:			B		<input type="checkbox"/> Inner handle/outer bigger handle		
				<input type="checkbox"/> Cylinder			

© COPYRIGHT IDEAL FENSTER GROUP S.R.L. - Ver. 16/01/2019 - In order to improve the final product, the company reserves the right to make any changes and improvements it may deem necessary without any further notice.

Opening - sketch		Glass decoration	Hardware / handles	Notes / Accessories	
Inner view Building position: Pieces W: x H:	<input type="checkbox"/> Frame on 4 sides	<input type="checkbox"/> C printed <input type="checkbox"/> White frosted <input type="checkbox"/>	<input type="checkbox"/> Balkover cylinder <input type="checkbox"/> Secondary doors n6y <input type="checkbox"/> Door <input type="checkbox"/> Handles with key <input type="checkbox"/> Inner/outer handles <input type="checkbox"/> Inner handle/outer bigger handle <input type="checkbox"/> Cylinder	
	<input type="checkbox"/> Threshold	To trim the frame Left A Right			
	<input type="checkbox"/> Coloumn sash	B			
Inner view Building position: Pieces W: x H:	<input type="checkbox"/> Frame on 4 sides	<input type="checkbox"/> C printed <input type="checkbox"/> White frosted <input type="checkbox"/>	<input type="checkbox"/> Balkover cylinder <input type="checkbox"/> Secondary doors n6y <input type="checkbox"/> Door <input type="checkbox"/> Handles with key <input type="checkbox"/> Inner/outer handles <input type="checkbox"/> Inner handle/outer bigger handle <input type="checkbox"/> Cylinder	
	<input type="checkbox"/> Threshold	To trim the frame Left A Right			
	<input type="checkbox"/> Coloumn sash	B			
Inner view Building position: Pieces W: x H:	<input type="checkbox"/> Frame on 4 sides	<input type="checkbox"/> C printed <input type="checkbox"/> White frosted <input type="checkbox"/>	<input type="checkbox"/> Balkover cylinder <input type="checkbox"/> Secondary doors n6y <input type="checkbox"/> Door <input type="checkbox"/> Handles with key <input type="checkbox"/> Inner/outer handles <input type="checkbox"/> Inner handle/outer bigger handle <input type="checkbox"/> Cylinder	
	<input type="checkbox"/> Threshold	To trim the frame Left A Right			
	<input type="checkbox"/> Coloumn sash	B			
Inner view Building position: Pieces W: x H:	<input type="checkbox"/> Frame on 4 sides	<input type="checkbox"/> C printed <input type="checkbox"/> White frosted <input type="checkbox"/>	<input type="checkbox"/> Balkover cylinder <input type="checkbox"/> Secondary doors n6y <input type="checkbox"/> Door <input type="checkbox"/> Handles with key <input type="checkbox"/> Inner/outer handles <input type="checkbox"/> Inner handle/outer bigger handle <input type="checkbox"/> Cylinder	
	<input type="checkbox"/> Threshold	To trim the frame Left A Right			
	<input type="checkbox"/> Coloumn sash	B			
Inner view Building position: Pieces W: x H:	<input type="checkbox"/> Frame on 4 sides	<input type="checkbox"/> C printed <input type="checkbox"/> White frosted <input type="checkbox"/>	<input type="checkbox"/> Balkover cylinder <input type="checkbox"/> Secondary doors n6y <input type="checkbox"/> Door <input type="checkbox"/> Handles with key <input type="checkbox"/> Inner/outer handles <input type="checkbox"/> Inner handle/outer bigger handle <input type="checkbox"/> Cylinder	
	<input type="checkbox"/> Threshold	To trim the frame Left A Right			
	<input type="checkbox"/> Coloumn sash	B			
Inner view Building position: Pieces W: x H:	<input type="checkbox"/> Frame on 4 sides	<input type="checkbox"/> C printed <input type="checkbox"/> White frosted <input type="checkbox"/>	<input type="checkbox"/> Balkover cylinder <input type="checkbox"/> Secondary doors n6y <input type="checkbox"/> Door <input type="checkbox"/> Handles with key <input type="checkbox"/> Inner/outer handles <input type="checkbox"/> Inner handle/outer bigger handle <input type="checkbox"/> Cylinder	
	<input type="checkbox"/> Threshold	To trim the frame Left A Right			
	<input type="checkbox"/> Coloumn sash	B			

© COPYRIGHT IDEAL FENSTER GROUP S.R.L. - Ver. 16/01/2019 - In order to improve the final product, the company reserves the right to make any changes and improvements it may deem necessary without any further notice.

FRAME	Frame PrEN70	Frame PrER85	Frame PrER119	Frame PrEN110	THERMAL TRESHOLD	Thermal threshold TS24
SASHES	Sash PrEA77 - 77mm	Sash PrEA110 - 110mm	Sash PrEA110AE - 110mm	Sash PrEA125 - 125mm Bigger sash, outward opening	Sash PrEA125AE - 125mm Bigger sash, outward opening	
ALU HOOD	Frame PrEN70Alu	Frame PrEN85Alu	Frame PrER119Alu	Frame PrEN110Alu	THERMAL TRESHOLD	Thermal threshold TS24
	Sash PrEA77Alu - 77mm	Sash PrEA110Alu - 110mm	Sash PrEA110AEAlu 110mm	Sash PrEA125Alu 125mm Bigger sash, outward opening	Sash PrEA125AEAlu 125mm Bigger sash, outward opening	
MATCHING	Matching PrSB38 - Asymmetric Only compatible with shas PrEA77		Matching PrSB38 - Asymmetric Only compatible with shas PrEA77		Matching PrSB72 - Symmetric	
SUBFRAMES	PVC A1 63/75		Measures			
			MET: External frame measure			
PVC A1 40/75		MIL-R: External frame measure fin excluded				
		IL: Architectural light				
		X: Specify this numeric value, corresponding to the frame overhang in respect to the architectural light				

